

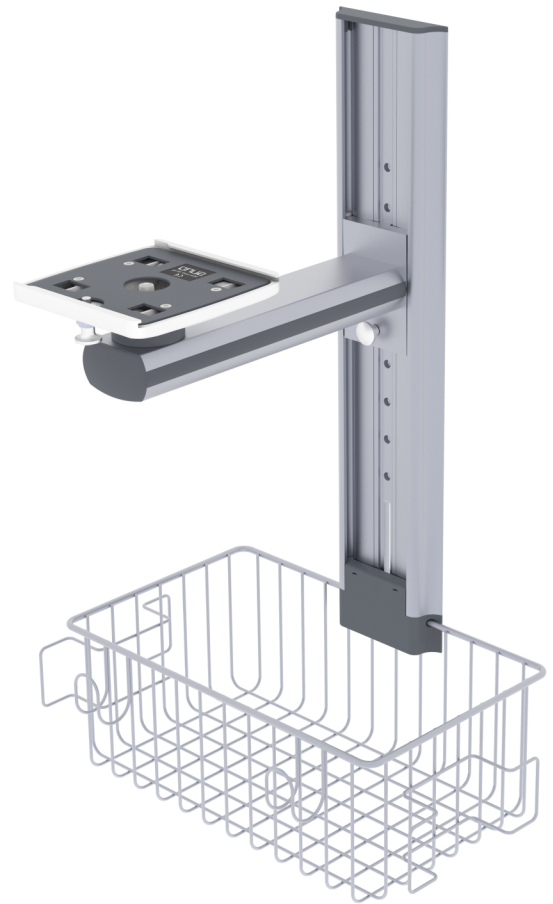
WALL TYPE MONITOR STAND

DMS-20T

SPECIFICATIONS

Fixed Arm, Wall Type Monitor Stand

- 44,5 cm wall rail
- 25,5 cm fixed arm
- 320 mm x 195 mm x 125 mm utility basket with cable hooks
- Fixed arm can be adjust on wall rail
- Monitor holder can rotate 360° around own axis
- Features tilt/swivel adjustment
- Weight: 3 kg
- Max Carrying Capacity: 30 kg
- Compatible with all brand and model of medical monitors



BOX CONTENTS

Subpart	Definition	Box No	QTY
PR.AL.001	Wall Rail	1	1
HM.TS.001	Wire Basket	1	1
KG.001	Arm Set	1	1

DIEMENSIONS

1/1

